

Easily Bridges the RS-232/422/485 Devices on Ethernet/Internet



TCP/IP **eCOV-132** *One RS-232 port*



TCP/IP **eCOV-432** *Four RS-232 port*



FEATURES

- Wherever the network existed, your control will be there.
- The lowest cost and the best solution of IP Solution.
- Offering the best network solution for your Product/Equipment/System.
- Making the Automation-Control and the Data-Collection no boundary at all.
- Support the TCP/IP/UDP/HTTP/DHCP/TELNET/ICMP/ARP.
- Can integrate the PDA/WEB-PDA and IEEE 802.11b for wireless remote control.

APPLICATIONS

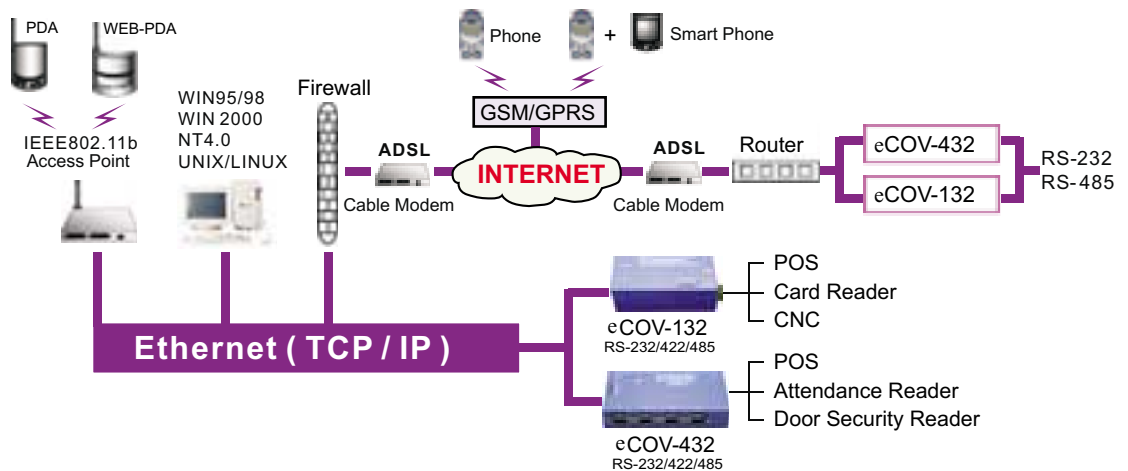
- Access Control
- Security System
- Telecommunication
- Network Power Control
- POS & Auto ID Equipment
- Factory/Laboratory Automation
- Home/Building Automation

e-COV TCP/IP Converter Series

SPECIFICATIONS

Model		eCOV-132		eCOV-432	
Hardware	CPU	8	BITS	8	BITS
	SRAM	32K	BYTES	128K	BYTES
	ROM	32K	BYTES	32K	BYTES
	LAN	10M	BPS (RJ45)	10M	BPS (RJ45)
Interface		RS232/422/485 1		RS232/422/485 1 RS232 3	
Power		9~12V DC (120mA)		9~12V DC (120mA)	
Operate Temp.		0~55° C		0~55° C	
Dimensions (mm x mm x mm)		110X70X28 (WXDXH)		160X95X28 (WXDXH)	
RS-232		SPEED 300~115.2K bps PARITY None/Odd/Even DATA BITS 7,8 STOP BITS 1,2 SIGNAL RX, TX, RTS, CTS, DTR, DSR, DCD, GND			
RS-422		SIGNAL RX+, RX-, TX+, TX-			
LED		SYSTEM RUN, LAN TX, LAN RX, LAN LINK			
Protocol		TCP/ IP/ UDP/ HTTP/ DHCP/ TELNET/ ICMP/ ARP			
Supported OS		Win 95/98/2000/NT4.0, UNIX, LINUX			
Certification		FCC, CE			
Software Development		Windows's WINSOCKET SDK Development Utility			

ARCHITECTURE



Manufacturer

FAMETECH INC.

2F, No. 165, Sec. 2, Ta-Tung Rd.,
Hsi-Chih 221, Taipei Hsien, Taiwan, R. O. C.

Tel : 886-2-8692-6300

Fax: 886-2-8692-6301

E-Mail: tysso@ms6.hinet.net

URL: <http://www.famotech.com.tw>