

## Price Checker PC-1000 Series



# TYSSO®

Insist on the Best



## Versatile but Inexpensive

PC-1000 series, price checker with TySSO's state of the art technology, is created not only for customers to get in-house current price from the barcode article without "checking" salesclerks, as well as acquiring products' advertising and promotion news, but for retailer to facilitate daily jobs, reducing their operating cost.

The modular design and SDK communication kit assist the equipment to be formed as many as possible prospects to meet wide range of applications throughout retail trade.

### FEATURES

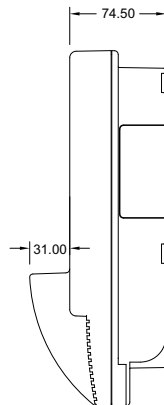
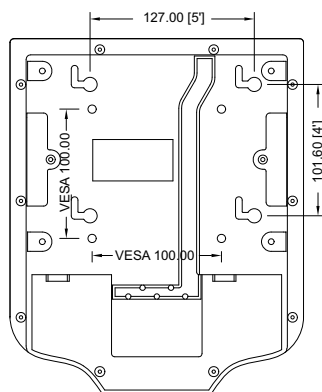
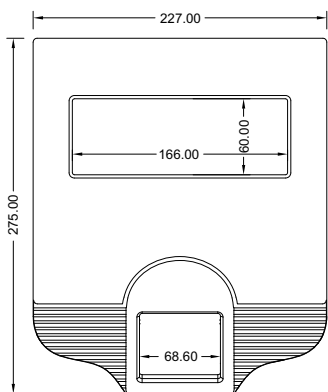
- VFD 20 x 2 or LCD graphic 15 x 4 display options
- TCP/IP communication
- Omni-directional laser to liner CCD scanner selections
- SDK communication kit and demonstration application available
- 2 auxiliary RS-232 ports
- ESC/POS command compatible
- Multiple languages supported
- Various mounting arrangements
- Reasonable price



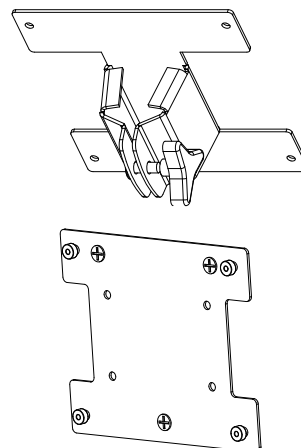
# SPECIFICATIONS

	PC-1000	PC-1100
<b>CPU</b>	8051	
<b>Communication</b>	TCP/IP 10/100Mb	
<b>Display</b>	Vacuum Fluorescent Display Green display color 700 cd/m2 brightness 20 character x 2 line 5 x 7 dot matrix display pattern 6.4mm(W) x 9.2mm(H) character size	Liquid Crystal Display 240 x 64 dot module Yellow green display color 120 cd/m2 brightness It can be displayed either; 15 character x 4 line 16x16 dot matrix display pattern 8mm(W) x 8mm(H) character size or 30 character x 4 line 16x8 dot matrix display pattern 4mm(W) x 8mm(H) character size
<b>Font</b>	Plenty of code pages	Default language for LCD graphic model: English/GB or English/Big-5; Other languages are upon OEM request
<b>PLU</b>	224KB	
<b>Scanner</b>	IS3480, omni-directional laser scanner A-50M, omni-directional laser scanner FCCD-620, liner CCD scanner	
<b>Decoding Capacity</b>	UPC/EAN, Code 128, Code 93, Codabar, Interleaved 2 of 5, Code 11, Code 39, MSI/Plessey, RSS 14 and more (IS3840)	
<b>Utility</b>	BMP converting utility, TCP/IP communication SDK, demonstration application, PLU download utility	
<b>Auxiliary Ports (optional)</b>	DB9 RS-232 port x 2, pin 9 provide DC+5V	
<b>Auxiliary Devices (optional)</b>	Magnetic card reader, 40-key keypad	
<b>Environment</b>	Operating: 0°~+45°C, 10%RH~80%RH Storage: -10°~+50°, 10%RH~90%RH	

**Dimension:**



**Mounting Fixture:**



*Insist on the Best*

Manufacturer

**FAMETECH INC.**

2F, No. 165, Sec. 2, Ta-Tung Rd.,  
Hsi-Chih 221, Taipei Hsien, Taiwan  
Tel : 886-2-8692-6300  
Fax: 886-2-8692-6301  
E-Mail: tyssso@ms6.hinet.net  
URL: http://www.famotech.com.tw

