

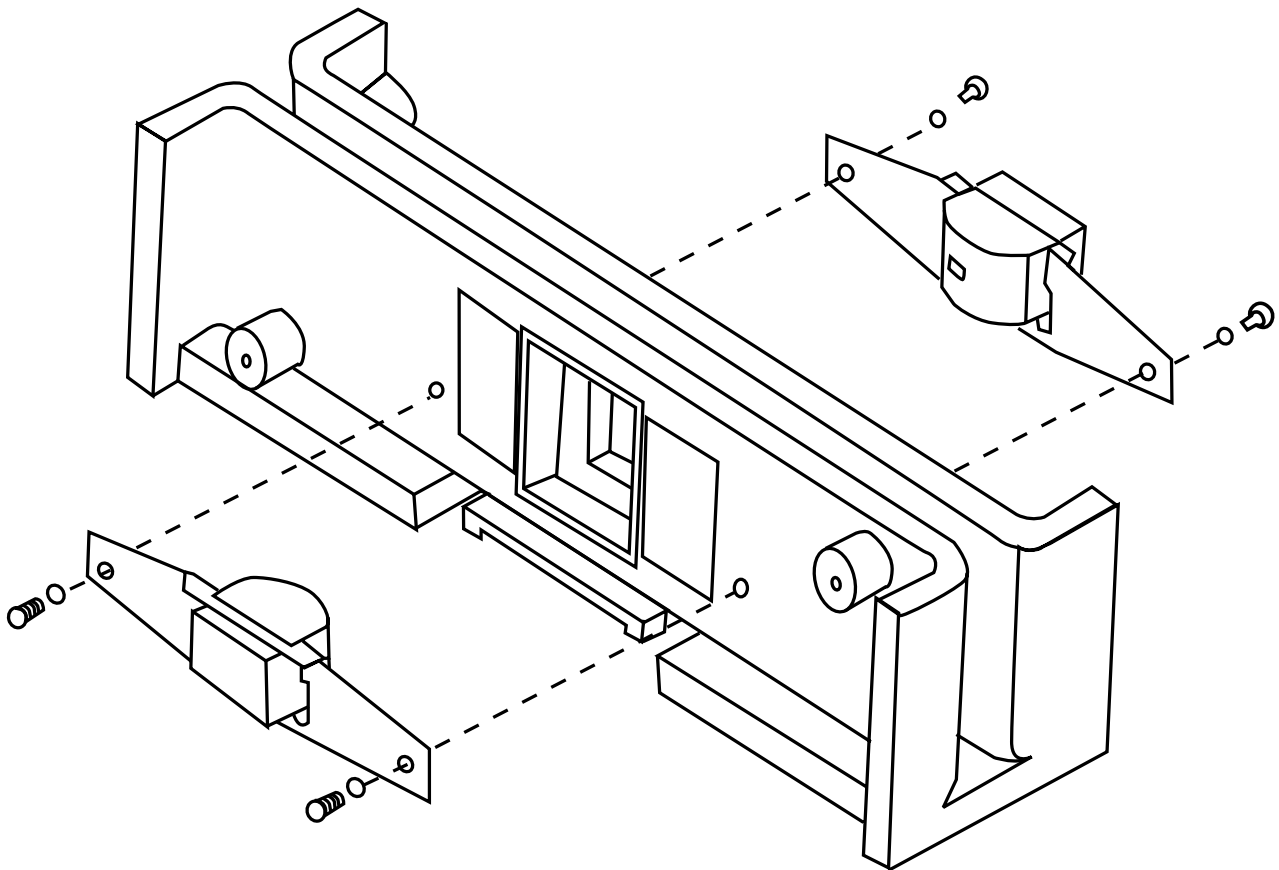
Swipe Card Either Side

Dual Head Swipe Reader

More Convenient, but Lower Price

• Support Read-Heads, ICs, PCBs, TTL Modules and Decoded Readers

• ODM/OEM Welcome



TTL Decoder IC & Module

- Dual-Head Swipe housing for standard 90 and 100mm length.
- For POS/Access Control or Devices with MCR.



Decoded Reader

- Keyboard Wedge or RS-232
- Single, Dual or Triple Track
- Mini-Type Decoded Reader also available
- High Co./Low Co. Encoder can be request.



Features:

MCRD Series (TTL Reader)

- Dual-Head swipe design
- Module housing is available in 90mm and 100mm length, suitable for most applications
- Mask IC for dual channel F2F amplifying and decoding.
- Support reading card with 210 BPI and 75 BPI recording density.
- Optional models with single and dual track configuration.

MSRD Series (Decoded Reader)

- Dual-Head swipe design.
- Available interfaces for keyboard wedge and RS-232.
- Dip switches setting is easily changed by users.
- Optional models with single, dual and triple track configuration.

Specifications:

TTL Series

Recording Method	Two-frequency coherent phase(F2F) Compatible with ISO 7810/7811/7812/7813, JIS X6301/6302	
Power	Single Track	+5VDC±5% 2.5mA
	Dual Track	+5VDC±5% 4.7mA
Output	Vol(Max) = 0.4V	At IOL = 2mA
	Voh(Min) = VDD = 0.4V	At VDD = Min
Dimensions(Two Veresions)	100mm (L) x 28mm(H) x 34mm(W)(With Cover) 90mm (L) x 24mm(H) x 22mm(W)(Without Cover)	
Wire Lengh	210mm (Without Cover) 560mm (With Cover)	
Connector	Single Track	: 5 Pin or 7 Pin Housing
	Dual Track	: 7 Pin Housing
Configurations	Single Track	: Track 1, 2 or 3, JIS-II
	Dual Track	: Track 1 & 2 or 2 & 3

MSRD Series (Decoded Reader)

Compatibility	PC AT/XT/PS2/Machintosh	
Power	No External Power Requirements --Keyboard Wedge reader +5VDC ±20% 25mA -- RS-232 Reader	
Output	Emulate Keyboard Output --Keyboard Wedge Reader Baud Rate 1200/2400/4800/9600 --RS-232 Reader	
Dimensions	158mm (L) x 43mm(H) x 44mm(W)	
Cables	1.5mm From Reader to PC 30mm From Reader To keyboard cable	
Connector	5 Pin Din Plug For PC 5 Pin Din Socket For Keyboard	
Configurations	Single Track	: Track 1, 2 or 3, JIS-II
	Dual Track	: Track 1 & 2, or 2 & 3
	Tripe Track	: Track 1 & 2 & 3

ISO-9002 Certified



Manufacturer

FAMETECH INC.

2F, No. 165, Sec. 2, Ta-Tung Rd.
Hsi-Chih 221, Taipei Hsien, Taiwan, R. O. C.
Tel : 886-2-8692-6300
Fax: 886-2-8692-6301
E-Mail:tyssso@ms6.hinet.net
URL:http://www.famotech.com.tw

U. S. Branch

FAMETECH AMERICA, INC.

12343 Hymeadow Drive, Suite 2C
Austin, TX 78750, U. S. A.
Tel : (512) 331- 4656, (800)TYSSO-ID
Fax: (512) 331- 7810
E-Mail:sales@tyssso.com
URL:http://www.tyssso.com